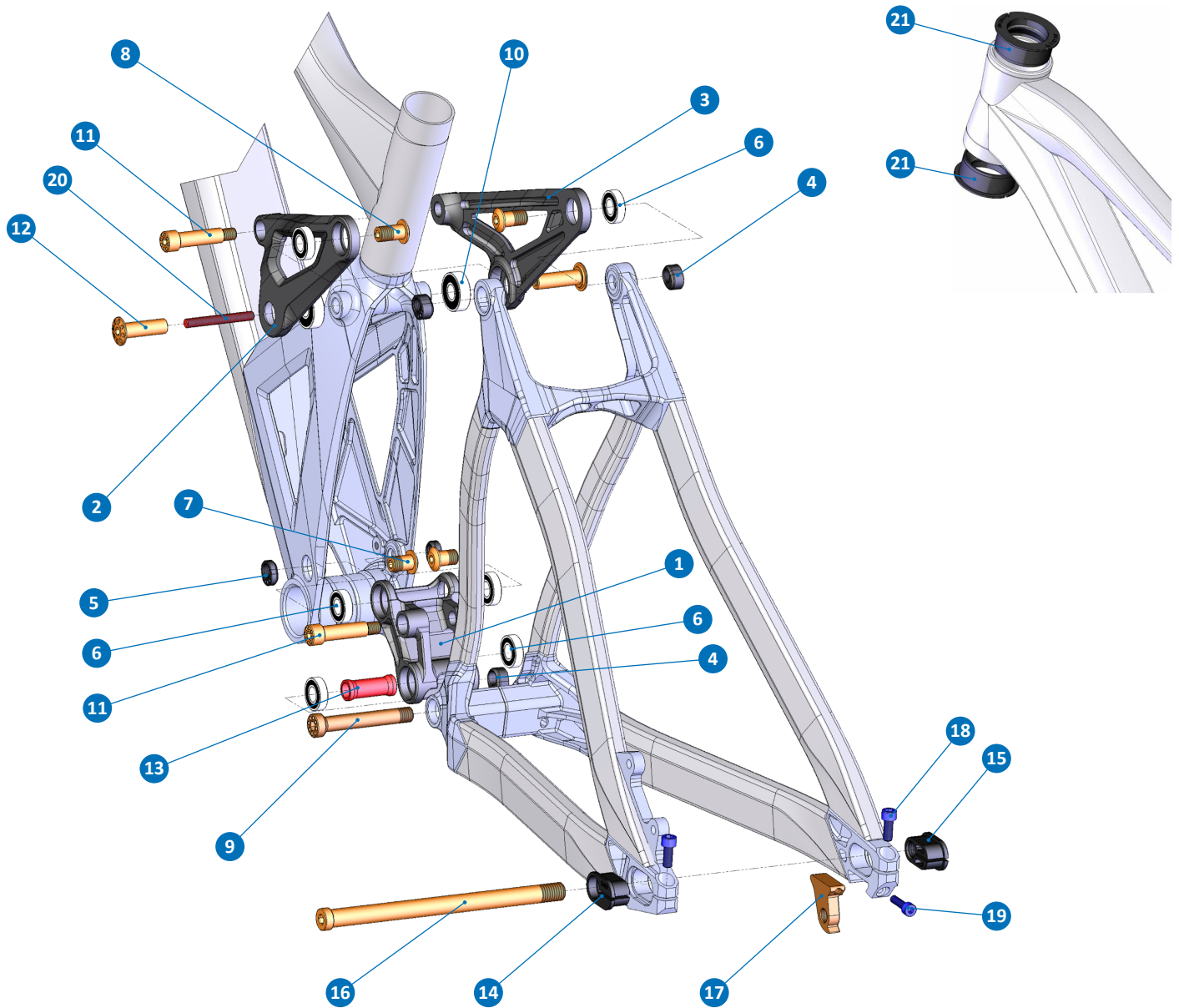


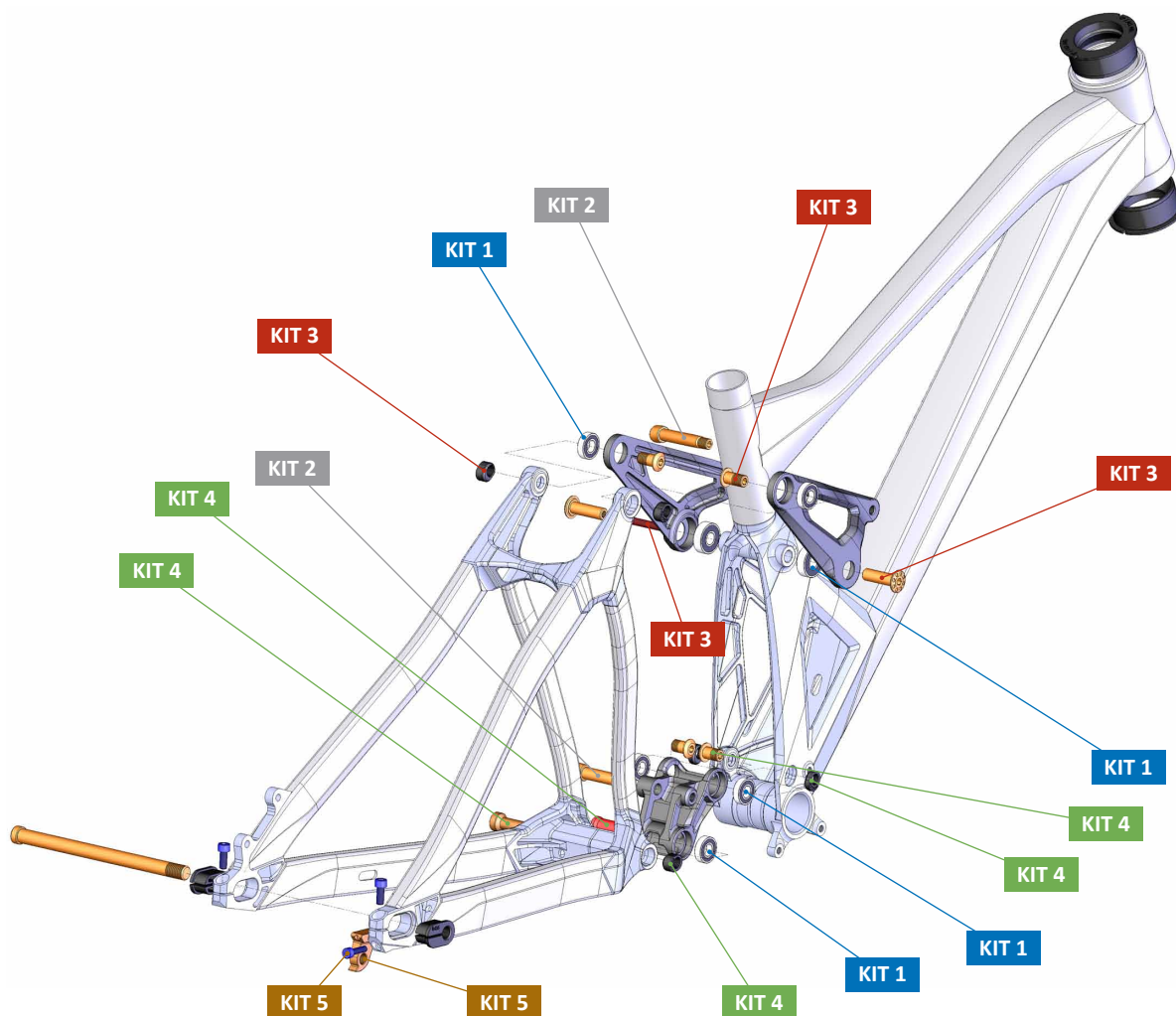
SUMMUM / DURHAM



ITEM No.	DESCRIPTION	QTY.
1	LOWER LINK	1
2 - 3	UPPER LINK	1
4	AXLE NUT M10x8.85	3
5	AXLE NUT M10x5.75	2
6	6900-RS BEARING, 10x22x6	6
7	PIVOT AXLE M10x15	2
8	PIVOT AXLE M10x18.5	2
9	PIVOT AXLE M10x63	1
10	6000-2RS BEARING, 10x26x8	2
11	SLEEVE BOLT D10x43 M8	2

ITEM No.	DESCRIPTION	QTY.
12	PIVOT AXLE D10x32	2
13	SPACER D14x35	1
14	RC ADAPTOR, LEFT	1
15	RC ADAPTOR, RIGHT	1
16	HUB AXLE	1
17	M000 HANGER	1
18	M6x15L-P SCREW BOLT	2
19	M5x20L-P SCREW BOLT	1
20	M6x50L SCREW AXLE	1
21	ADJUSTABLE GEOMETRY CAP	2

SUMMUM / DURHAM



PART NUMBER	DESCRIPTION	COMPONENTS
099.12001	KIT 1: ZERO BEARING KIT	6900-RS BEARING, 10x22x6 (x6) / 6000-2RS BEARING, 10x26x8 (x2)
099.12008	KIT 2: SHOCK HARDWARE ZERO 2	SLEEVE BOLT D10x43 M8 (x2)
099.12005	KIT 3: UPPER LINK KIT 3	PIVOT AXLE D10x32 (x2) / M6x50L SCREW AXLE / AXLE NUT M10x8.85 (x2) / PIVOT AXLE M10x18.5 (x2)
099.12006	KIT 4: LOWER LINK KIT	PIVOT AXLE M10x63 / PIVOT AXLE M10x15 (x2) / SPACER D14x35 / AXLE NUT M10x8.85 / AXLE NUT M10x5.75 (x2)
099.12012	KIT 5: HANGER KIT 3	M000 HANGER / M5x20L -P
099.12013	SUMMUM/DUR GEOMETRY KIT S/M	RC 435MM ADAPTER (X2) / RC 445MM ADAPTER (X2) / RC 450MM ADAPTER(X2) / HS +- 1° (X2) / HS +- 2° (X2)
099.12011	SUMMUM/DUR GEOMETRY KIT L	RC 435MM ADAPTER (X2) / RC 445MM ADAPTER (X2) / RC 450MM ADAPTER(X2) / HS +- 1° (X2) / HS +- 2° (X2)
099.12109	PIVOT AXLE M10x63	PIVOT AXLE M10x63
099.12114	AXLE NUT M10x5.75	AXLE NUT M10x5.75
099.12113	AXLE NUT M10x8.85	AXLE NUT M10x8.85
099.12106	PIVOT AXLE M10x15	PIVOT AXLE M10x15
099.12105	PIVOT AXLE M10x18.5	PIVOT AXLE M10x18.5
099.12107	SLEEVE BOLT D10x43 M8	SLEEVE BOLT D10x43 M8