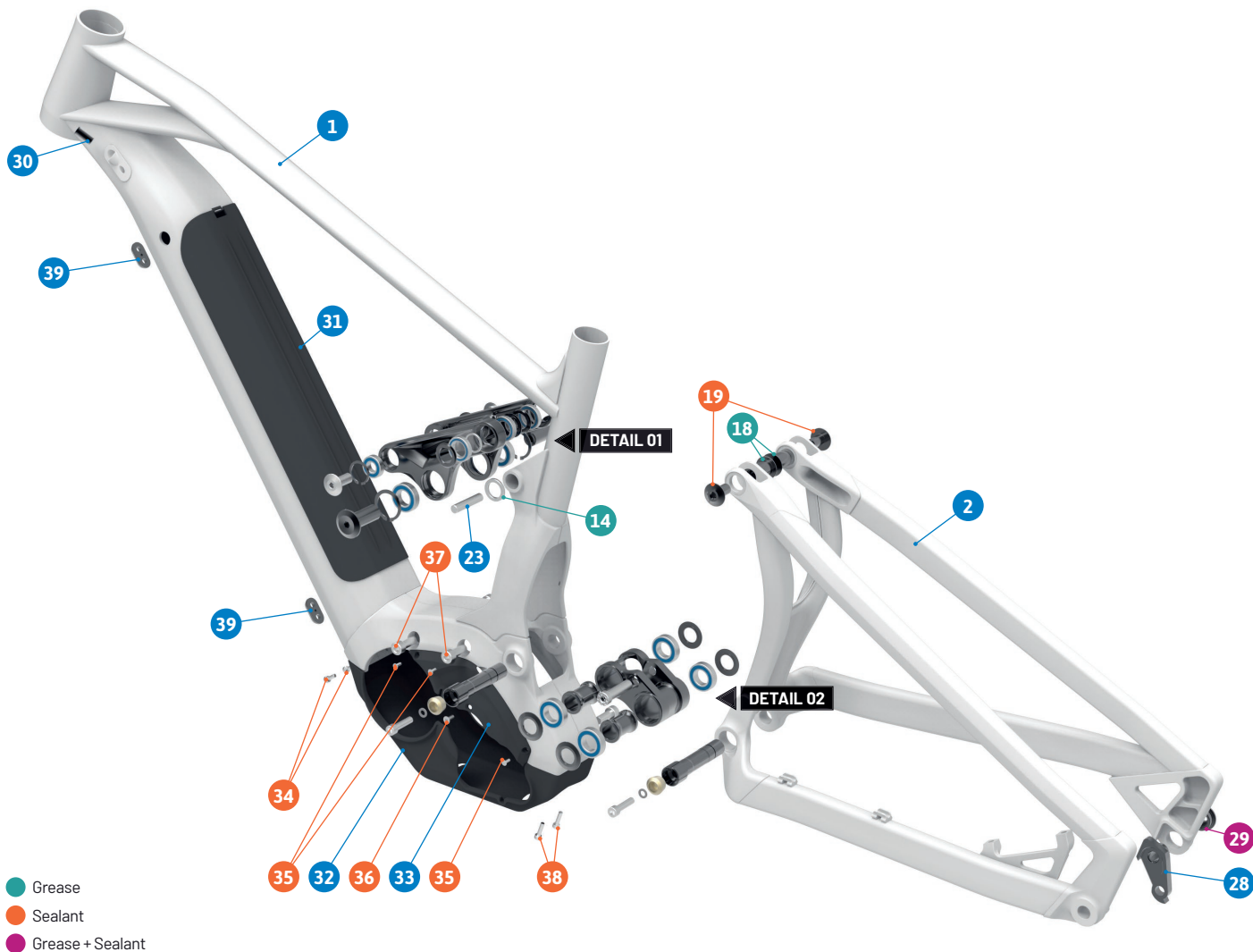


CRAFTY + / LEVEL

Spare Parts

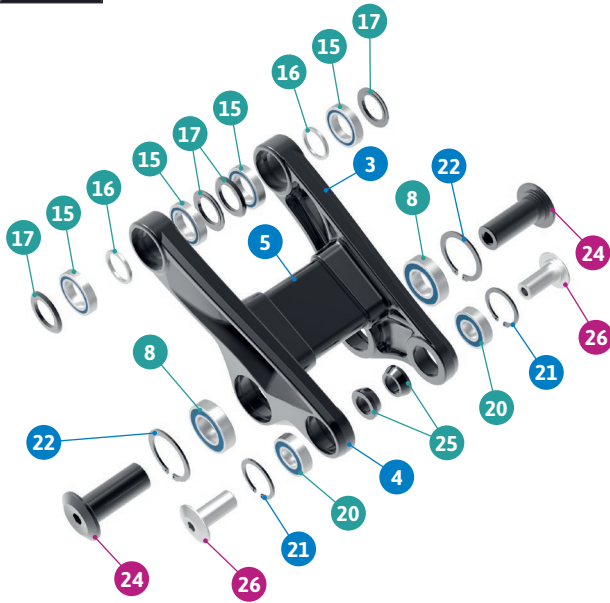


Apply grease to the shaft,
and sealant to the threads

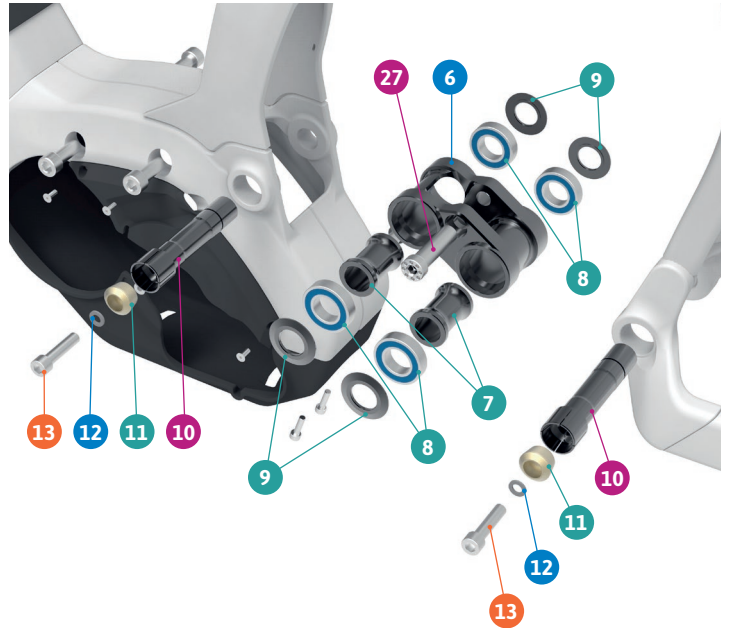
| ITEM No. | DESCRIPTION | QTY. | PART NUMBER | TORQUE |
|----------|------------------|------|-------------|--------|
| 1 | FRONT TRIANGLE | 1 | | |
| 2 | REAR TRIANGLE | 1 | | |
| 3 | LINK, LEFT | 1 | | |
| 4 | LINK, RIGHT | 1 | | |
| 5 | LINK BRIDGE | 1 | | |
| 6 | LOWER LINK | 1 | | |
| 7 | SPACER, 15x22x31 | 2 | SET4 | |
| 8 | BEARING, 28x15x7 | 6 | SET1 | |
| 9 | SPACER, 15x27x2 | 4 | SET4 | |
| 10 | MAIN AXLE | 2 | SET4 | 12Nm |
| 11 | TAPER NUT | 2 | SET4 | |
| 12 | SPACER | 2 | SET4 | |
| 13 | SCREW BOLT | 2 | SET4 | 10Nm |
| 14 | SPACER, 15x22x3 | 2 | SET3 | |
| 15 | BEARING, 24X15X5 | 4 | SET1 | |
| 16 | SPACER, 15x19x2t | 2 | SET3 | |
| 17 | SPACER, 15x27x2 | 4 | SET3 | |
| 18 | PIVOT AXLE, 26MM | 2 | SET3 | |
| 19 | PIVOT AXLE, M12 | 2 | SET3 | 12Nm |
| 20 | BEARING, 10x22x6 | 2 | SET1 | |

| ITEM No. | DESCRIPTION | QTY. | PART NUMBER | TORQUE |
|----------|--------------------|------|-------------|--------|
| 21 | C-RING | 2 | SET3 | |
| 22 | C-RING | 2 | SET3 | |
| 23 | M8 THREAD AXLE | 1 | SET3 | |
| 24 | LINK AXLE | 2 | SET3 | 11Nm |
| 25 | SPACER, 10x17x6 | 2 | SET2 | |
| 26 | SHOCK BOLT | 2 | SET2 | 8Nm |
| 27 | SLEEVE BOLT | 1 | SET2 | 12Nm |
| 28 | HANGER | 1 | SET5 | |
| 29 | HANGER NUT | 1 | SET5 | 4Nm |
| 30 | CABLE ADAPTOR | 1 | | |
| 31 | BATTERY COVER | 1 | 099.18016 | |
| 32 | MOTOR COVER, LOWER | 1 | 099.18017 | |
| 33 | MOTOR COVER, LEFT | 1 | 099.18018 | |
| 34 | SCEW BOLT | 2 | | 4Nm |
| 35 | SCREW BOLT | 4 | | 3Nm |
| 36 | SCREW BOLT | 1 | | 3Nm |
| 37 | SCREW BOLT | 5 | | 8Nm |
| 38 | SCEW BOLT | 2 | | 4Nm |
| 39 | BOLT COVER | 2 | 099.18019 | |

DETAIL 01



DETAIL 02



| SET 1 | SET 2 | SET 3 | SET 4 | SET 5 |
|---------------------------------------|------------------------|-------------------|-------------------|-------------|
| ZERO BEARING KIT 14 (ENDURO BEARINGS) | SHOCK HARDWARE ZERO 10 | UPPER LINK KIT 20 | LOWER LINK KIT 21 | HANGER M067 |
| | | | | |

| PART NUMBER | DESCRIPTION | COMPONENTS |
|-------------|--|---|
| 099.18100 | SET 1: ZERO BEARING KIT 14 (ENDURO BEARINGS) | ENDURO BEARING, 28x15x7 (x6) / ENDURO BEARING, 10x22x6 (x2) / ENDURO BEARING, 24x15x5 (x4) |
| 099.18102 | SET 2: SHOCK HARDWARE KIT 10 | SPACER, 10x17x6 (x2) / SHOCK BOLT (x2) / SLEEVE BOLT (x1) |
| 099.18103 | SET 3: UPPER LINK KIT 20 | SPACER, 15x22x3 (x2) / LINK AXLE (x2) / M8 THREAD AXLE (x1) / C-RING (x2) / C-RING (x2) / SPACER, 15x19x2t (x2) / SPACER, 15x27x2 (x4) / PIVOT AXLE, 26MM (x2) / PIVOT AXLE, M12 (x2) |
| 099.18111 | SET 4: LOWER LINK KIT 21 | SPACER, 15x22x31 (x2) / MAIN AXLE (x2) / TAPER NUT (x2) / SPACER (x2) / SCREW BOLT (x2) / SPACER, 15x27x2 (x4) |
| 099.00054 | SET 5: HANGER M067 | HANGER (x1), HANGER NUT (x1) |