

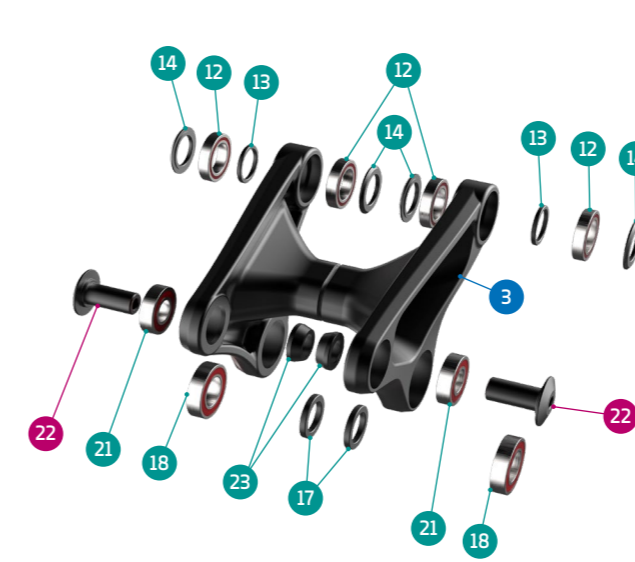
- Grease
- Threadlocker
- Grease + Threadlocker

Apply grease to the shaft, and locker to the threads

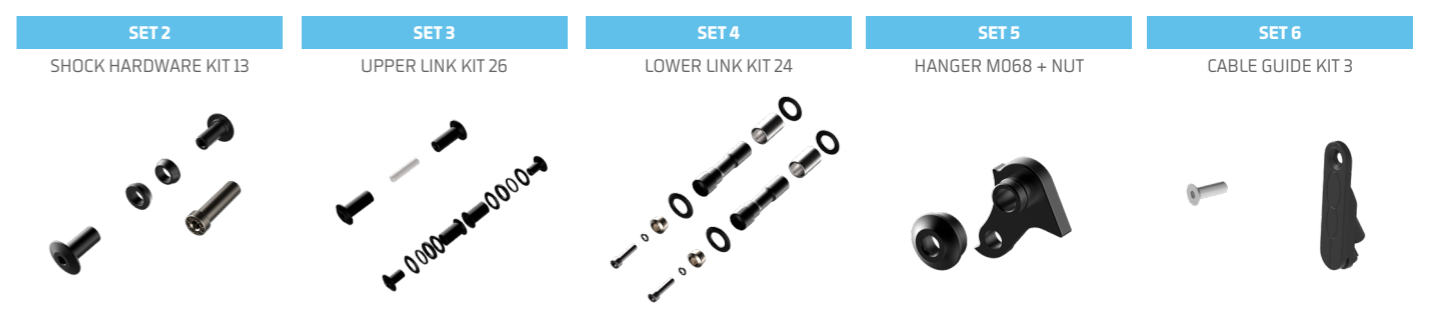
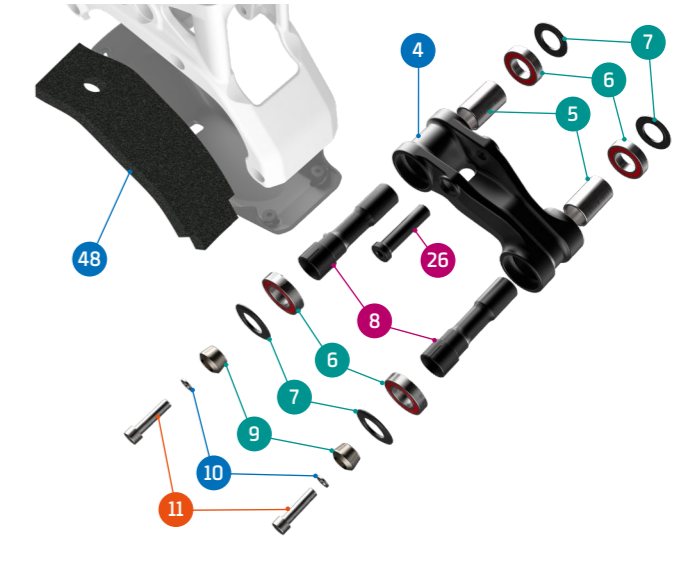
ITEM No.	DESCRIPTION	QTY.	PART NUMBER	TORQUE
1	FRONT TRIANGLE	1		
2	REAR TRIANGLE	1		
3	UPPER LINK	1	099.20039	
4	LOWER LINK	1	099.20040	
5	SPACER, 17x22x30L	2	SET 4	
6	BEARING, 30x17x7	4	SET 1	
7	SPACER, 15x27x2	4	SET 4	
8	MAIN PIVOT AXLE, 17X60	2	SET 4	12Nm
9	TAPER NUT	2	SET 4	
10	SPACER	2	SET 4	
11	SCREW BOLT	2	SET 4	10Nm
12	BEARING, 24X15X5	4	SET 1	
13	SPACER, 15x19x2t	2	SET 3	
14	SPACER, 15x24x2	4	SET 3	
15	PIVOT AXLE, 26MM	2	SET 3	
16	PIVOT AXLE, M12	2	SET 3	12Nm
17	SPACER, 15x22x3	2	SET 3	
18	BEARING, 28x15x7	2	SET 1	
19	M8 THREAD AXLE	1	SET 3	
20	LINK AXLE	2	SET 3	11Nm
21	BEARING, 10x22x6	2	SET 1	
22	SHOCK BOLT	2	SET 2	8Nm
23	SPACER, 10x17x6	2	SET 2	
24	HANGER	1	SET 5	
25	HANGER NUT	1	SET 5 / 099.16011	4Nm
26	SHOCK BOLT	1	SET 2	16Nm

ITEM No.	DESCRIPTION	QTY.	PART NUMBER	TORQUE
27	BOLT COVER	2	099.22044	
28	CHARGER PLUG	1	099.20019	
29	CHARGER COVER	1	099.22055	
30	SCREW BOLT	9		3Nm
31	CABLE RUBBER	1	989.13010	
32	MOTOR COVER, LEFT	1	099.20022	
33	MOTOR COVER, RIGHT	1	099.20023	
34	MOTOR COVER, LOWER	1	099.20024	
35	CHAIN GUIDE SPACER	1	099.20025	
36	SCREW BOLT M4x10	4	099.15032	4Nm
37	SCREW BOLT M6x10	1	099.20026	4Nm
38	BATTERY COVER	1		
39	SCREW BOLT	4		3Nm
42	CABLE GUIDE	2	SET 6	
43	SCREW BOLT	2	SET 6	
44	REAR AXLE, 12X148 PL75 L180	1	112.90022	
45	ROTOR MAGNET SPEED SENSOR BOSCH	1	124.20401	
46	CHAINSTAY PROTECTOR	1	099.20017	
47	YOKE PROTECTOR	1	099.20056	
48	SPONGE MOTOR PROTECTOR	1	099.20086	
49	SIDE RUBBER, BATTERY COVER	1	099.20059	
50	TOP & BOTTOM BATTERY COVER	1	099.20062	

DETAIL 01



DETAIL 02



PART NUMBER	DESCRIPTION	COMPONENTS
099.20101	SET 1: ZERO BEARING KIT 20	BEARING 6903V-2RS, 30x17x7 (x4) / BEARING 6802V-2RS, 24x15x5 (x4) / BEARING 6902V-2RS, 28x15x7 (x2) / BEARING 6900V-2RS, 10x22x6 (x2)
099.20201	SET 2: SHOCK HARDWARE KIT 13	SHOCK BOLT (x2) / SPACER, 10x17x6 (x2) / SHOCK BOLT (x1)
099.20301	SET 3: UPPER LINK KIT 26	SPACER, 15x19x2t (x2) / SPACER, 15x24x2 (x4) / M8 THREAD AXLE (x1) / LINK AXLE (x2) / PIVOT AXLE, 26MM (x2) / PIVOT AXLE, M12 (x2) / SPACER, 15x22x3 (x2)
099.20401	SET 4: LOWER LINK KIT 24	TAPER NUT (x2) / SPACER (x2) / SCREW BOLT (x2) / SPACER, 15x27x2 (x4) / MAIN PIVOT AXLE, 17X60 (x2) / SPACER, 17x22x30L (x2)
099.00055	SET 5: HANGER M068 + NUT	HANGER (x1), HANGER NUT (x1)
099.19010	SET 6: CABLE GUIDE KIT 3	CABLE GUIDE (x1) / SCREW BOLT (x1)
099.21012	LOWER SHOCK BOLT - STEEL	
099.20072	CHAINGUIDE	
099.21039	e-BIKE FRAME COVER	
099.23055	FENDER KIT	
099.23056	REAR RACK	
099.21033	FRONT LIGHT	
099.21034	REAR LIGHT	
125.19016	KICKSTAND	